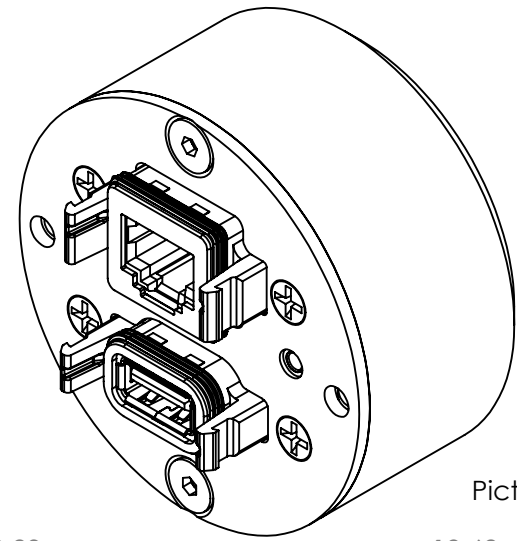
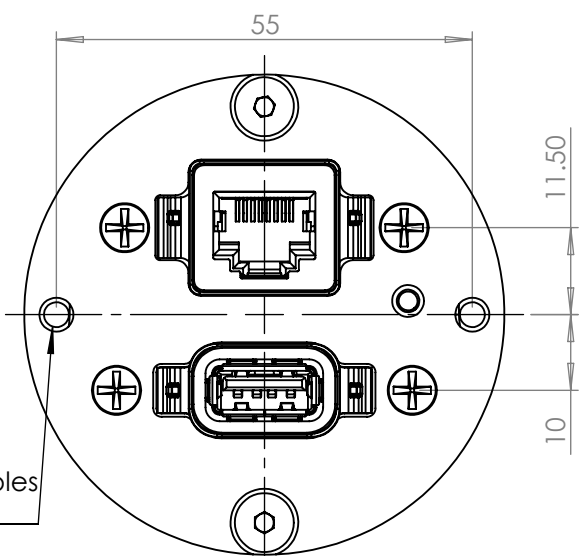


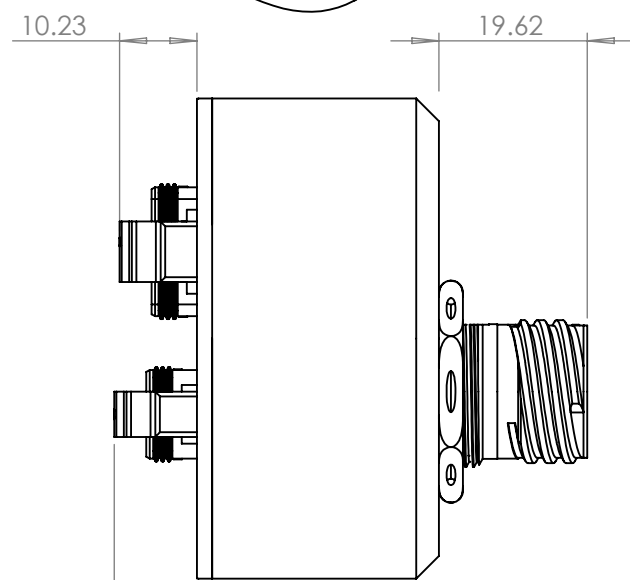
Top View



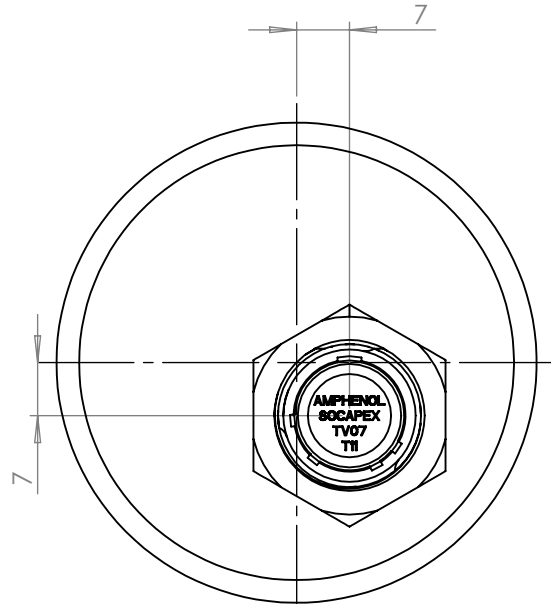
Pictorial View



Front View



Side View



Back View

REV	DESCRIPTION	DATE	APPD
2.0	Added mass & mounting hole depth (FCN0572)	14/01/2014	JG
1.0	Original document (FCN0519)	03/09/2013	JG

GENERAL LIMITS (UNLESS STATED):
 LINEAR: +/- 0.25
 ANGULAR: +/- 0.10
 ANGLES: +/- 1
 ALL DIMENSIONS IN mm.

MASS: 170g

DRN: JG
 CKD:
 APPD: JW
 ISSUED: 14/01/2014
 ORIGINAL SCALE: 1:1
 DRAWING SIZE: A4



DO NOT SCALE DRAWING
 IF IN DOUBT ASK!

Flightcell International Ltd
 PO Box 1481, Nelson, New Zealand
 Ph: +64 3 545 8651 www.flightcell.com

Drawing applies to Part No: IDP_00012

TITLE: USB/Ethernet Military Connector Box

Flightcell International NCAGE Code: EBL17

DRG NO: DRW_IDP_008

SHT 1
 OF 1