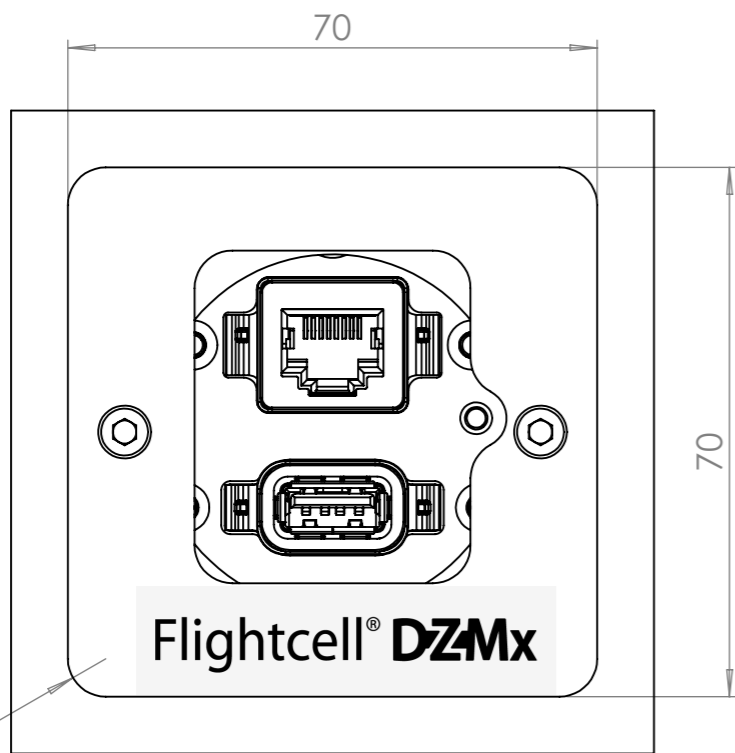
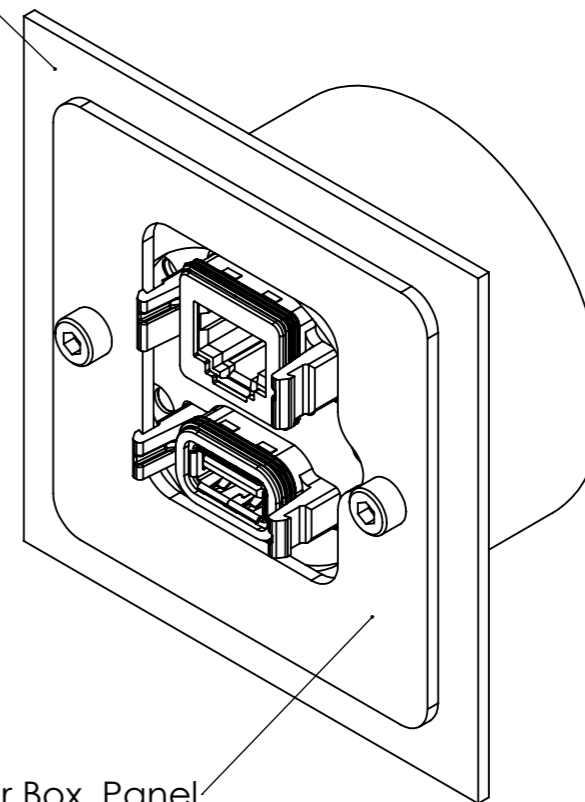


Recommended Panel Cutout



Front view with DZMx Panel

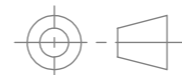
Aircraft Instrument Panel



DZMx USB/Ethernet Connector Box Panel

REV	DESCRIPTION	DATE	APPD
1.0	Initial Drawing Release (FCN0547).	18/10/13	JG

GENERAL LIMITS (UNLESS STATED)
 LINEAR: +/- 0.20
 HOLES: +/- 0.10
 ANGLES: +/- 1°
 ALL DIMENSIONS IN mm



DO NOT SCALE OFF DRAWING
 IF IN DOUBT ASK!

DRAWN: JG
 CHK'D: JG
 APPV'D: FT

ORIGINAL SCALE: 1:1
 DRAWING SIZE: A3



TITLE: **Connector Box Mounting Details**
 PART NO: **IDP_00012/IDP_00013** VERSION: **1.0**
 PROJECT: **FLIGHTCELL DZMx**
 DWG NO: **DRW_IDP_011** SHEET 1 OF 1