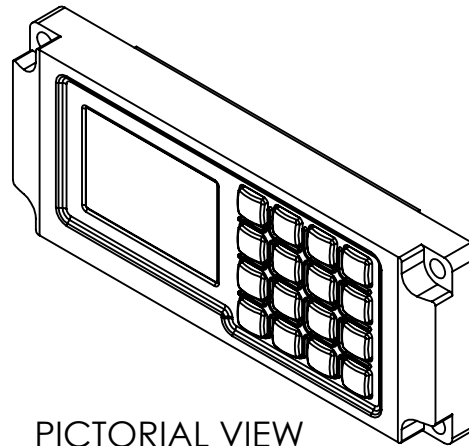
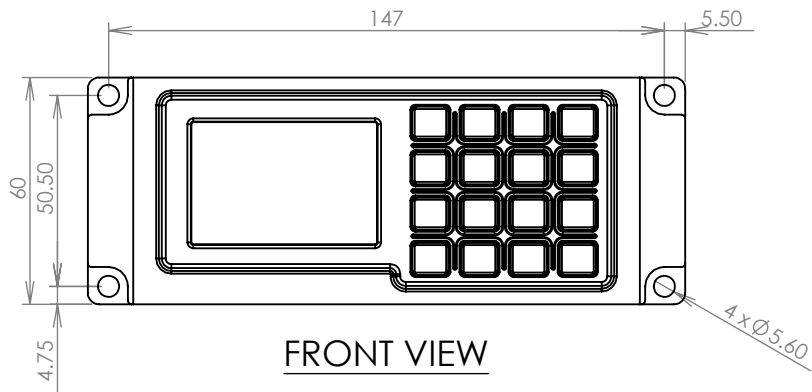


BOTTOM VIEW

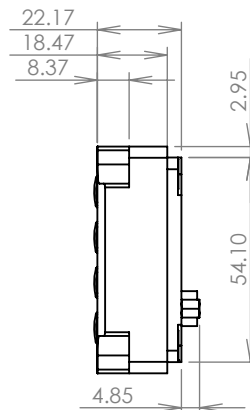


PICTORIAL VIEW

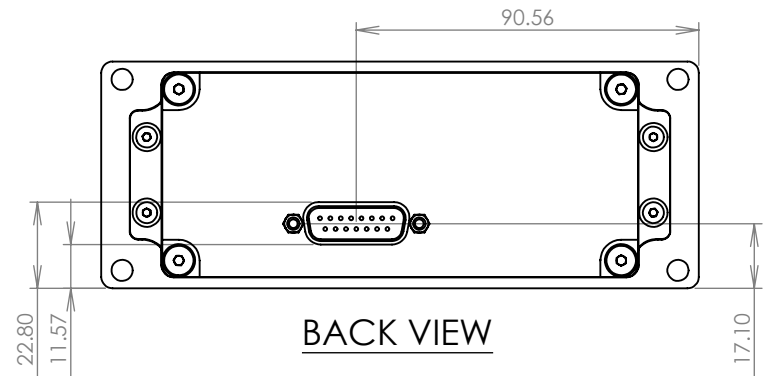
REV	DESCRIPTION	DATE	APPD
1.0	Original document (FCN0502)	01/07/2013	JG



FRONT VIEW



Side View



BACK VIEW

GENERAL LIMITS (UNLESS STATED):  
 LINEAR: +/- 0.25  
 ANGULAR: +/- 0.10  
 ANGLES: +/- 1  
 ALL DIMENSIONS IN mm.

DRN: JG  
 CKD:  
 APPD:  
 ISSUED:01-07-2013



Flightcell International Ltd  
 PO Box 1481, Nelson, New Zealand  
 Ph: +64 3 545 8651  
 www.flightcell.com

TITLE: Flightcell DZM Remote Head GA  
 Mechanical Assembly

Flightcell International NCAGE Code: EBL17

MASS: 320g

ORIGINAL SCALE: 1:2  
 DRAWING SIZE: A4

DO NOT SCALE DRAWING  
 IF IN DOUBT ASK!



Drawing applies to Part No:

DZP\_05-011  
 DZP\_05-010

DRG NO: DRW\_DZ5\_006

SHT 1  
 OF 1