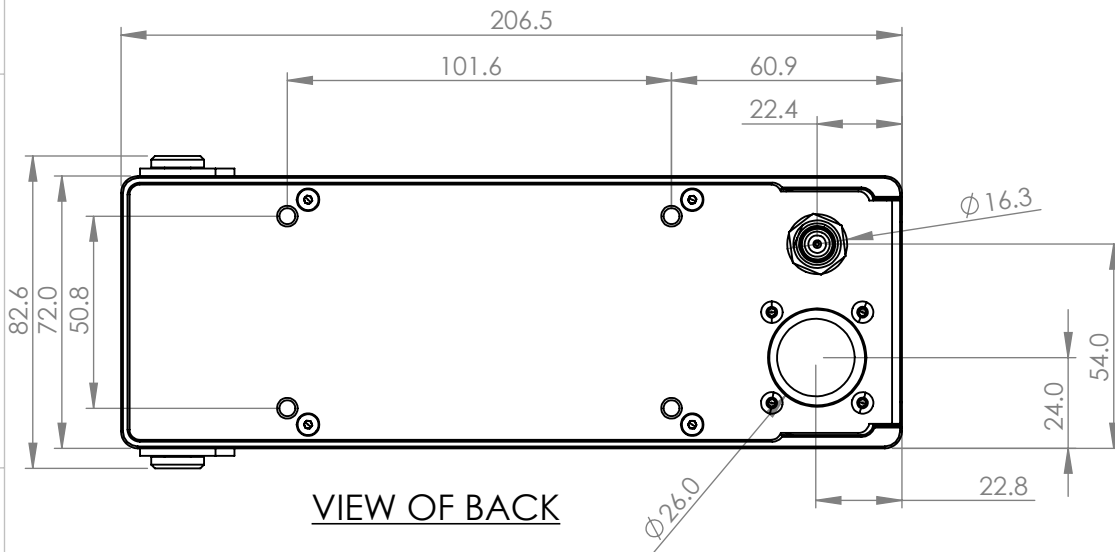
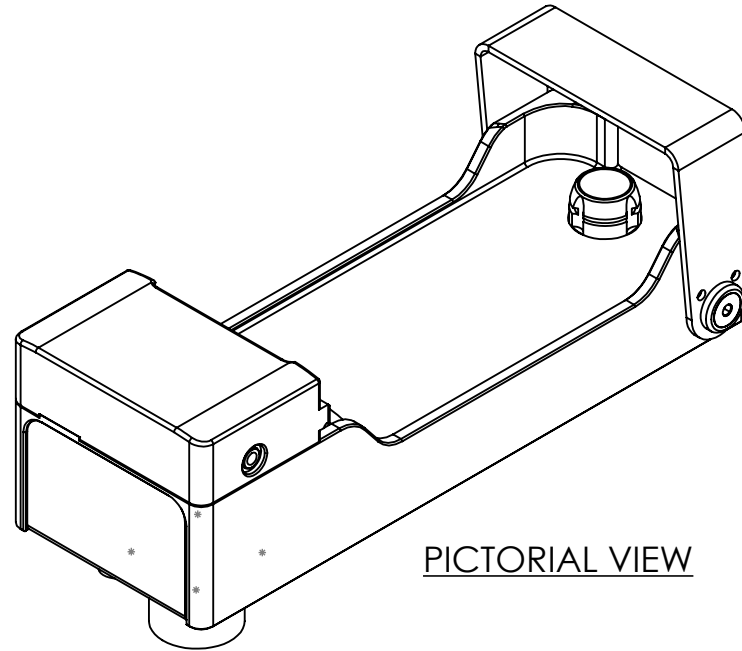


SIDE VIEW



VIEW OF BACK



PICTORIAL VIEW

REV	DESCRIPTION	DATE	APPD
3.0	Corrected connector locations #QS-354	06/11/18	JG
2.0	FCN0250	11/08/11	JG
1.0	Released	02/10/09	FT

GENERAL LIMITS (UNLESS STATED):
 LINEAR: +/- 0.25
 ANGULAR: +/- 0.10
 ANGLES: +/- 1
 ALL DIMENSIONS IN mm.

DRN: JG
 CKD: HB
 APPD: JG
 ISSUED:06/11/2018



Flightcell International Ltd
 PO Box 1481, Nelson, New Zealand
 Ph: +64 3 545 8651 www.flightcell.com

TITLE: Iridium 9505/A Phone Cradle With
 D38999 Connector

Flightcell International NCAGE Code: EBL17

MASS: 795g

ORIGINAL SCALE: 1:2
 DRAWING SIZE: A4

DO NOT SCALE DRAWING
 IF IN DOUBT ASK!



Drawing applies to Part No:

CRP_03002 /
 FC9505/A38999M3M

DRG NO: DRW_CR3_003

SHT 1
 OF 1