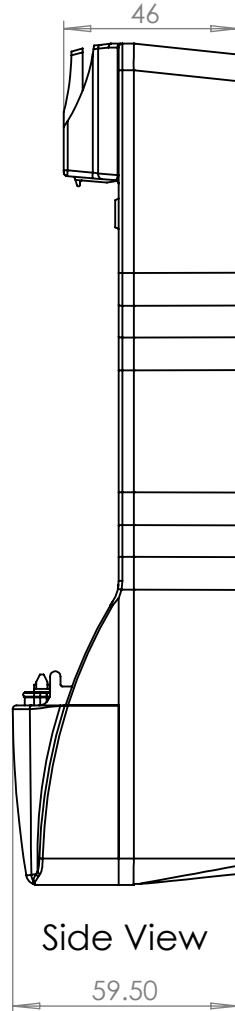
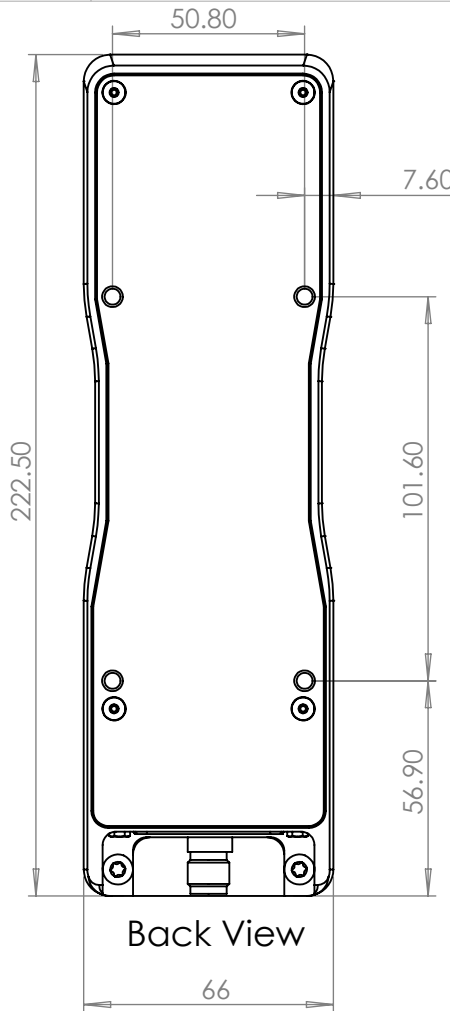


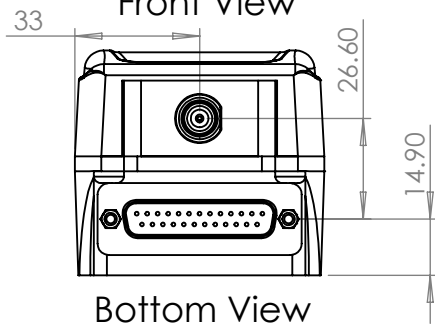
Front View



Side View

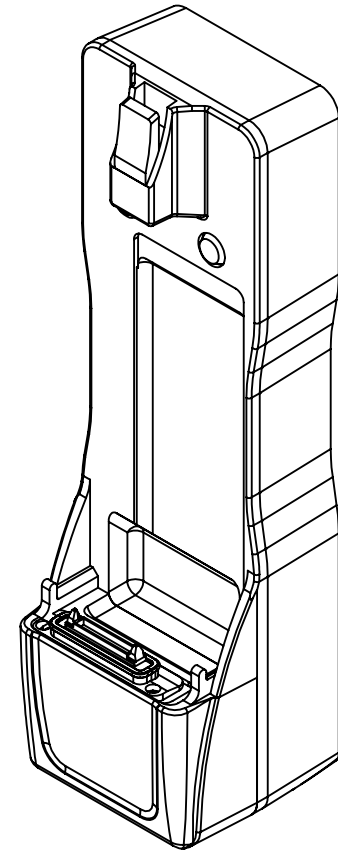


Back View



Bottom View

1.0	Original document (FCN0609)	13/06/2014	JG
REV	DESCRIPTION	DATE	APPD



Pictorial View

GENERAL LIMITS (UNLESS STATED):
 LINEAR: +/- 0.25
 ANGULAR: +/- 0.10
 ANGLES: +/- 1
 ALL DIMENSIONS IN mm.

DRN: JG
 CKD:
 APPD: JW
 ISSUED: 13/06/2014
 ORIGINAL SCALE: 1:2
 DRAWING SIZE: A4



DO NOT SCALE DRAWING
 IF IN DOUBT ASK!



Flightcell International Ltd
 PO Box 1481, Nelson, New Zealand
 Ph: +64 3 545 8651 www.flightcell.com

Drawing applies to Part No: CRP_05001

TITLE: Iridium 9575 Cradle Mechanical Assembly

Flightcell International NCAGE Code: EBL17

DRG NO: DRW_CR5_010

SHT 1
 OF 1