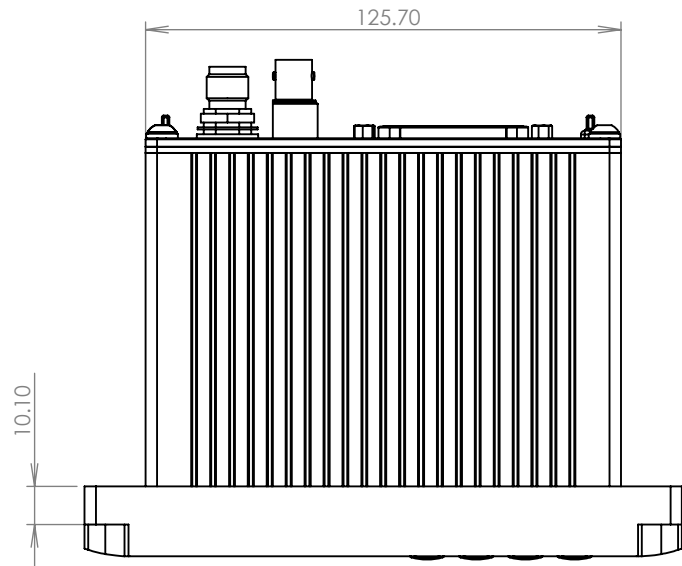


1 2 3 4 5 6

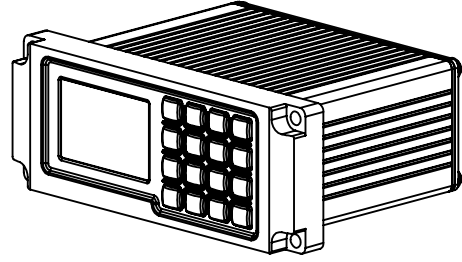
A

A

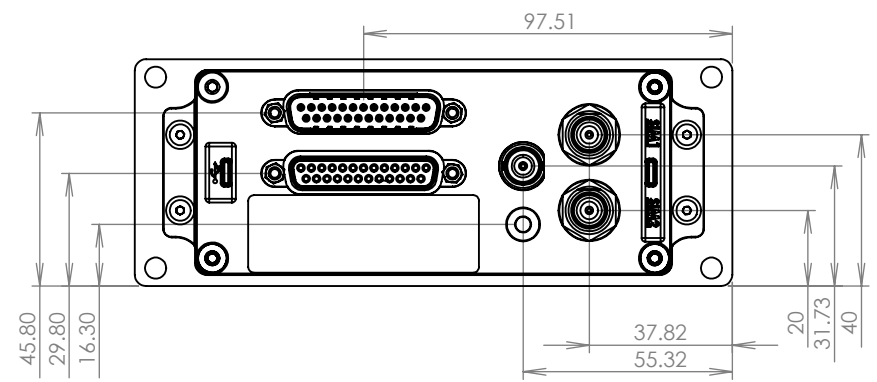
				JG
1.0	Original document (FCN0511)		08/08/13	JG
REV	DESCRIPTION		DATE	APPD



TOP VIEW



PICTORIAL VIEW



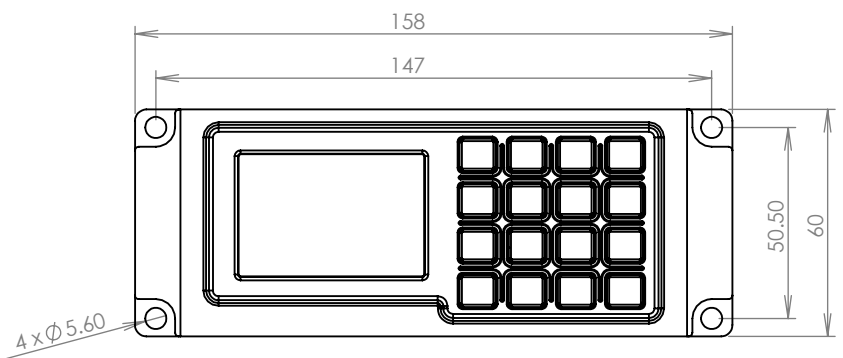
REAR VIEW

B

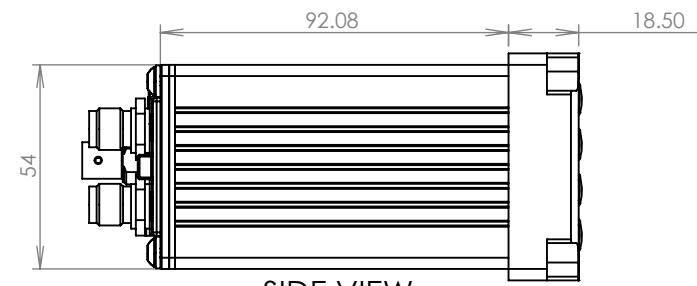
B

C

C



FRONT VIEW



SIDE VIEW

D

D

GENERAL LIMITS (UNLESS STATED): LINEAR: +/- 0.25 ANGULAR: +/- 0.10 ANGLES: +/-1 ALL DIMENSIONS IN mm.	DRN: JG CKD: APPD: JW ISSUED: 08/08/2013
MASS: 1 Transceiver - 690g 2 Transceiver - 760g	ORIGINAL SCALE: 1:2 DRAWING SIZE: A4



Flightcell International Ltd
PO Box 1481, Nelson, New Zealand
Ph: +64 3 545 8651 www.flightcell.com

TITLE: GA Front/GA Back Mechanical Assembly
Flightcell International NCAGE Code: EBL17

Drawing applies to Part No: DZP_04-x1x

DRG NO: DRW_DZ4_010

SHEET 1 OF 1

1 2 3 4 5 6