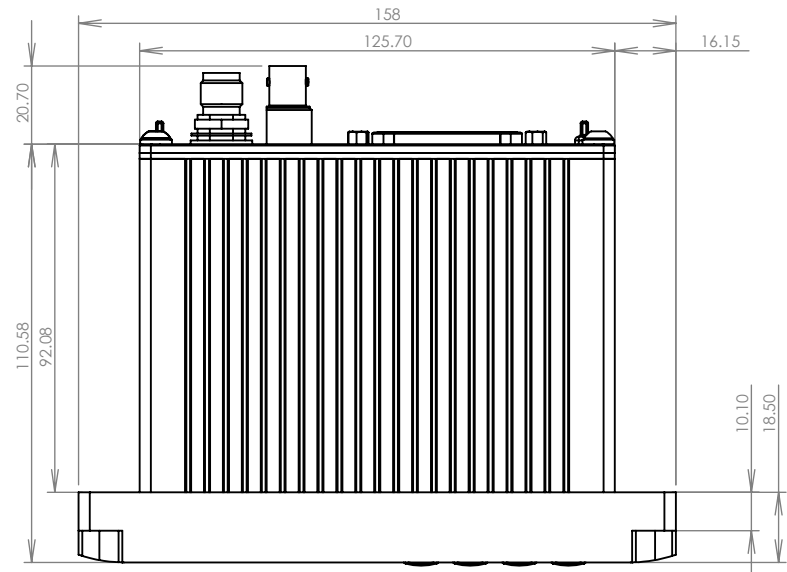
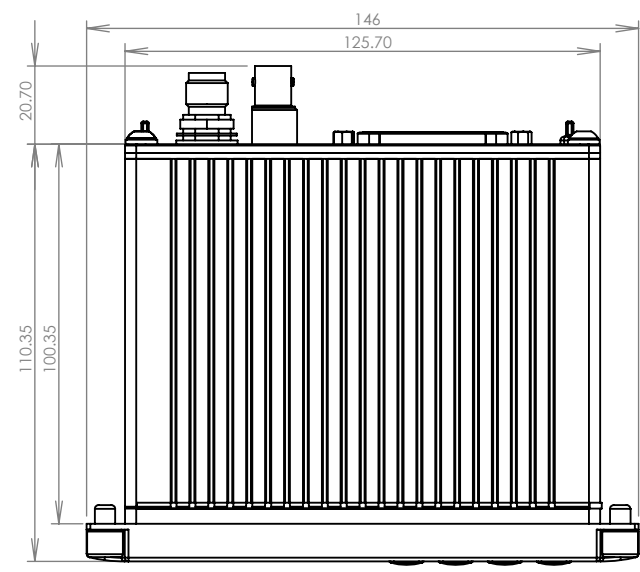


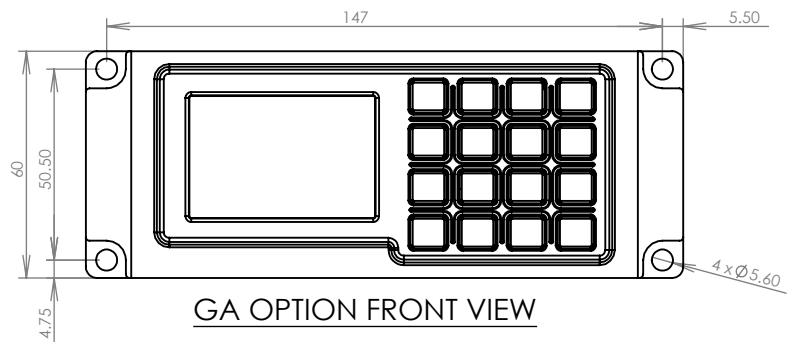
1.0	Original document (FCN0513)	08/08/2013	JG
REV	DESCRIPTION	DATE	APPD



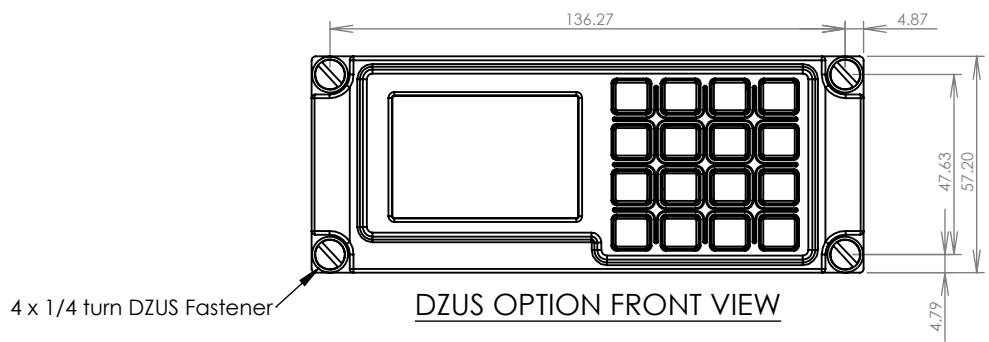
GA OPTION TOP VIEW



DZUS OPTION TOP VIEW



GA OPTION FRONT VIEW



DZUS OPTION FRONT VIEW

GENERAL LIMITS (UNLESS STATED):  
 LINEAR: +/- 0.25  
 ANGULAR: +/- 0.10  
 ANGLES: +/- 1  
 ALL DIMENSIONS IN mm.

DRN: JG  
 CKD:  
 APPD: JW  
 ISSUED:08/08/2013

MASS: DZUS - 650g (1 Transceiver)  
 GA - 690g (1 Transceiver)

ORIGINAL SCALE:1:2  
 DRAWING SIZE: A4



Flightcell International Ltd  
 PO Box 1481, Nelson, New Zealand  
 Ph: +64 3 545 8651 www.flightcell.com

TITLE: DZUS to GA Front Panel Comparison

Flightcell International NCAGE Code: EBL17

Drawing applies to Part No: DZP\_04-x0x, DZP\_04-x2x, DZP\_04-x3x  
 DZP\_04-x6x, DZP\_04-x7x

DRG NO: DRW\_DZ4\_002

SHEET 1 OF 1