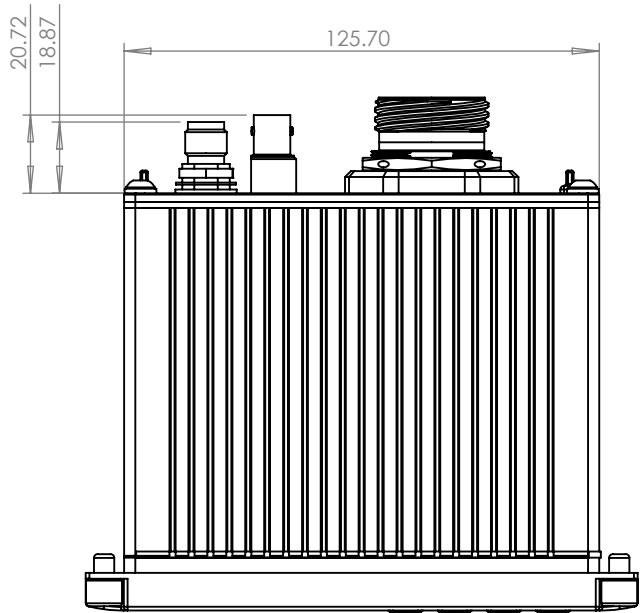
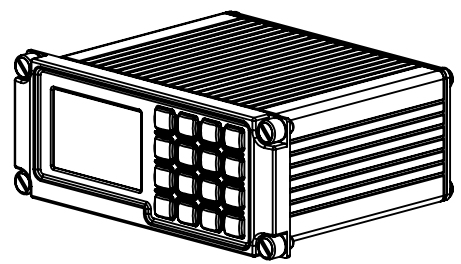


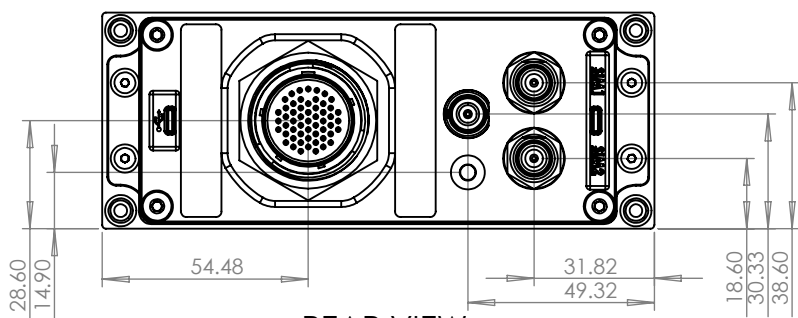
1 2 3 4 5 6



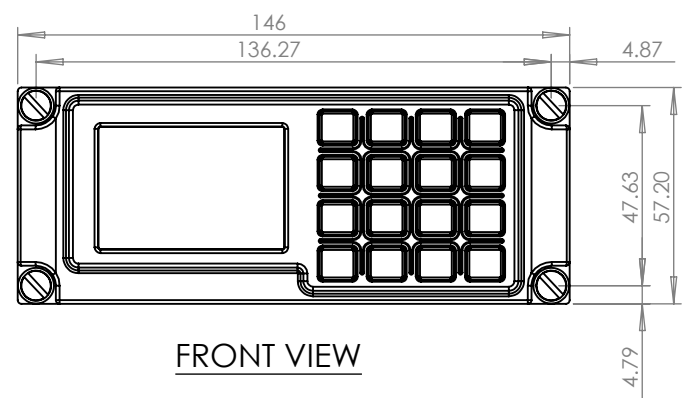
TOP VIEW



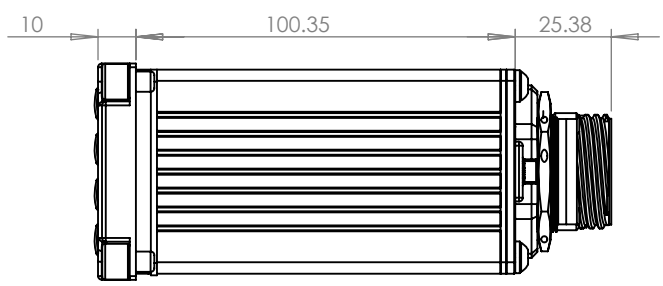
PICTORIAL VIEW



REAR VIEW



FRONT VIEW



SIDE VIEW

1.0	Original document (FCN0514)	08/08/2013	JG
REV	DESCRIPTION	DATE	APPD

GENERAL LIMITS (UNLESS STATED): LINEAR: +/- 0.25 ANGULAR: +/- 0.10 ANGLES: +/-1 ALL DIMENSIONS IN mm.	DRN: JG CKD: APPD: JW ISSUED:08/08/2013
MASS: 1 Transceiver - 680g 2 Transceivers - 750g	ORIGINAL SCALE:1:2 DRAWING SIZE: A4

**Flightcell**  
INTERNATIONAL

DO NOT SCALE DRAWING  
IF IN DOUBT ASK!

Flightcell International Ltd  
PO Box 1481, Nelson, New Zealand  
Ph: +64 3 545 8651 [www.flightcell.com](http://www.flightcell.com)

Drawing applies to Part No: DZP\_04-x2x, DZP\_04-x6x, DZP\_04-x7x

TITLE: DZUS Front/Mil Rear Mechanical Assembly

Flightcell International NCAGE Code: EBL17

DRG NO: DRW\_DZ4\_012

SHT 1 OF 1

1 2 3 4 5 6