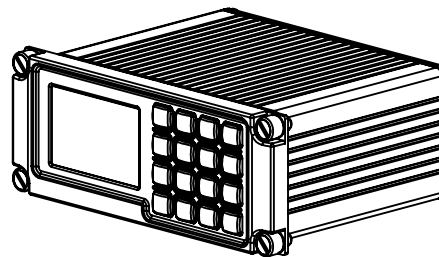
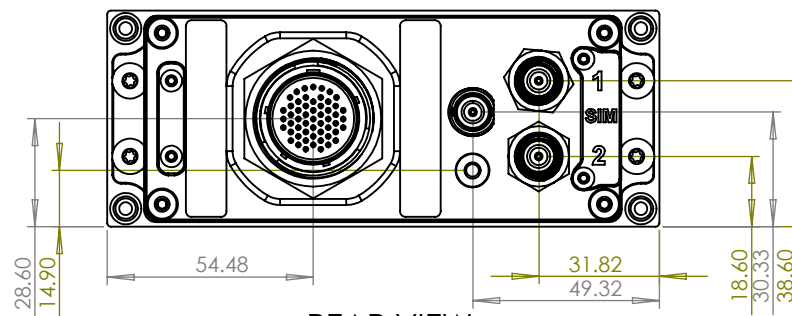


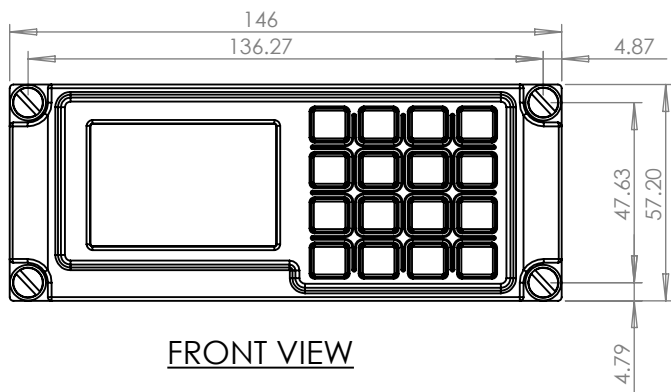
TOP VIEW



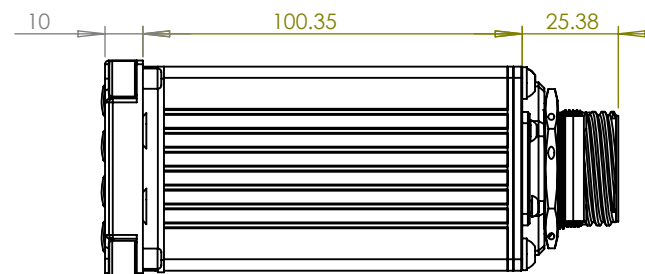
PICTORIAL VIEW



REAR VIEW



FRONT VIEW



SIDE VIEW

REV	DESCRIPTION	DATE	APPD
3.0	Added new dash numbers. #QS-353	10/04/2019	JG
2.0	Updated applicable models	04/04/2018	HB
1.0	Original document (FCN0514)	08/08/2013	JG

GENERAL LIMITS (UNLESS STATED): LINEAR: +/- 0.25 ANGULAR: +/- 0.10 ANGLES: +/-1 ALL DIMENSIONS IN mm.	DRN: JG CKD: HB APPD: JG ISSUED: 10/04/2019
MASS: 1 Transceiver - 680g 2 Transceivers - 750g	ORIGINAL SCALE: 1:2 DRAWING SIZE: A4



Flightcell International Ltd
PO Box 1481, Nelson, New Zealand
Ph: +64 3 545 8651 www.flightcell.com

TITLE: DZUS Front/Mil Rear Mechanical Assembly
Flightcell International NCAGE Code: EBL17

Drawing applies to Part No: DZP_04-x2x, DZP_04-x4x, DZP_04-x6x, DZP_04-x7x, DZP_04-x8x

DRG NO: DRW_DZ4_012

SHT 1 OF 1