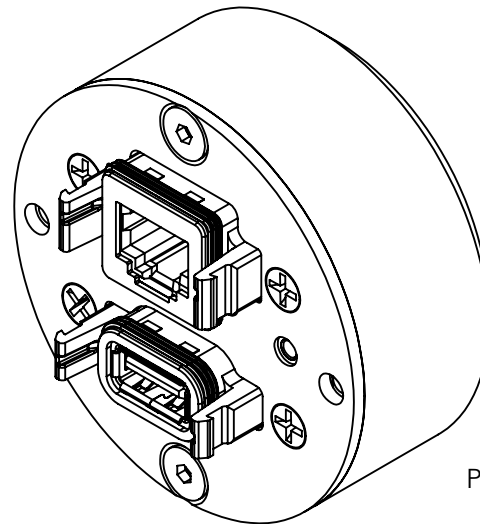
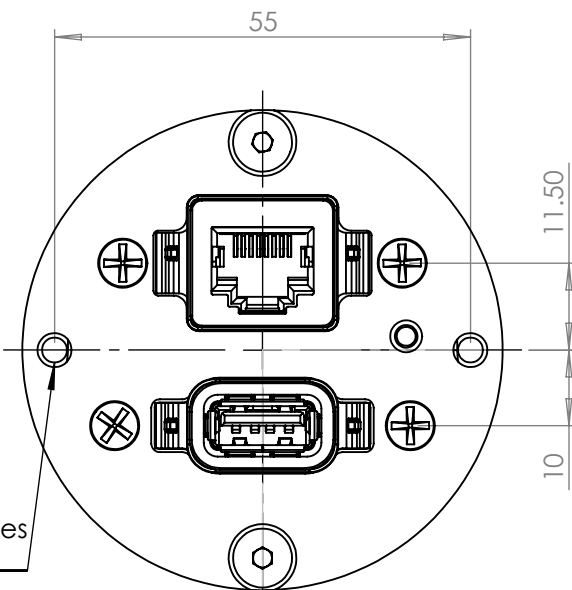


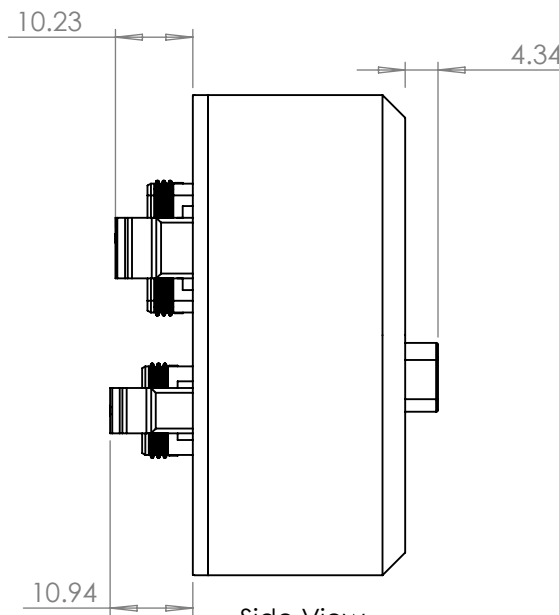
Top View



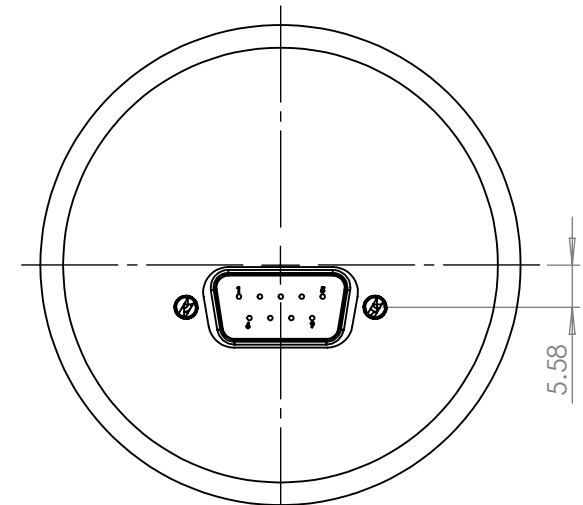
Pictorial View



Front View



Side View



Back View

REV	DESCRIPTION	DATE	APPD
2.0	Added mass & mounting hole depth. (FCN0572)	14/01/2014	JG
1.0	Original document (FCN0520)	03/09/2013	JG

GENERAL LIMITS (UNLESS STATED):  
 LINEAR: +/- 0.25  
 ANGULAR: +/- 0.10  
 ANGLES: +/- 1  
 ALL DIMENSIONS IN mm.

MASS: 150g

DRN: JG  
 CKD:  
 APPD: JW  
 ISSUED: 14/01/2014  
 ORIGINAL SCALE: 1:1  
 DRAWING SIZE: A4



DO NOT SCALE DRAWING  
 IF IN DOUBT ASK!



Flightcell International Ltd  
 PO Box 1481, Nelson, New Zealand  
 Ph: +64 3 545 8651 www.flightcell.com

Drawing applies to Part No: IDP\_00013

TITLE: USB/Ethernet Civilian Connector Box

Flightcell International NCAGE Code: EBL17

DRG NO: DRW\_IDP\_009

SHT 1  
 OF 1