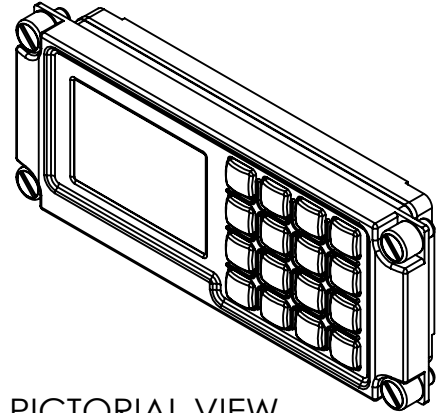
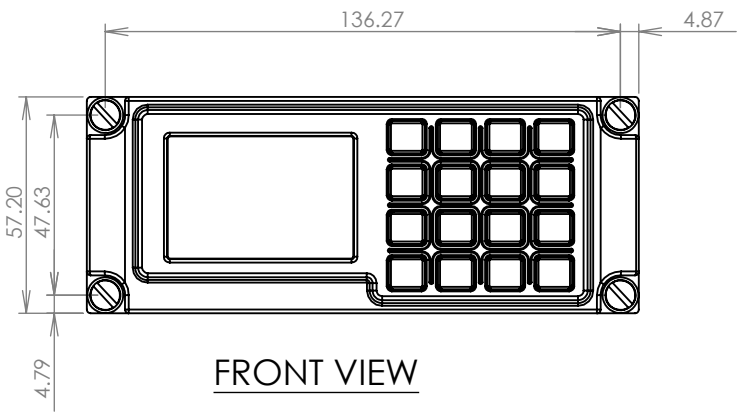


BOTTOM VIEW

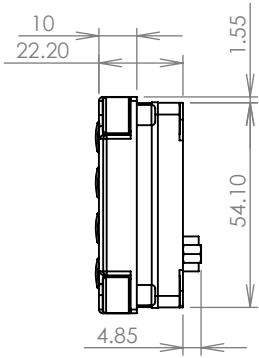


PICTORIAL VIEW

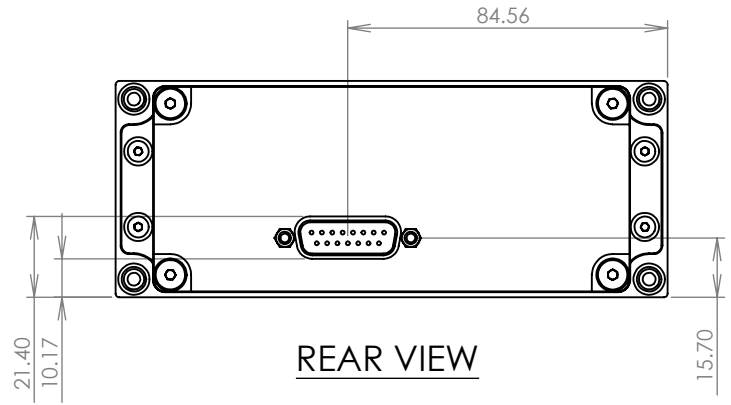
REV	DESCRIPTION	DATE	APPD
3.0	Added connector dimensions. (FCN0502)	01/07/2013	JG
2.0	Updated weight. (FCN0464)	20/03/2013	JG
1.0	Original document (FCN0342)	26/04/2012	JG



FRONT VIEW



SIDE VIEW



REAR VIEW

GENERAL LIMITS (UNLESS STATED):
 LINEAR: +/- 0.25
 ANGULAR: +/- 0.10
 ANGLES: +/-1
 ALL DIMENSIONS IN mm.

DRN: JG
 CKD:
 APPD:
 ISSUED:01-07-2013



Flightcell International Ltd
 PO Box 1481, Nelson, New Zealand
 Ph: +64 3 545 8651
 www.flightcell.com

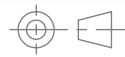
TITLE: Flightcell DZM Remote Head DZUS
 Mechanical Assembly

Flightcell International NCAGE Code: EBL17

MASS: 250g

ORIGINAL SCALE: 1:2
 DRAWING SIZE: A4

DO NOT SCALE DRAWING
 IF IN DOUBT ASK!



Drawing applies to Part No: DZP_05-000
 DZP_05-001

DRG NO: DRW_DZ5_001

SHT 1
 OF 1